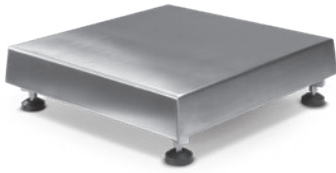


BENCH SCALES

BenchMark® HE-X

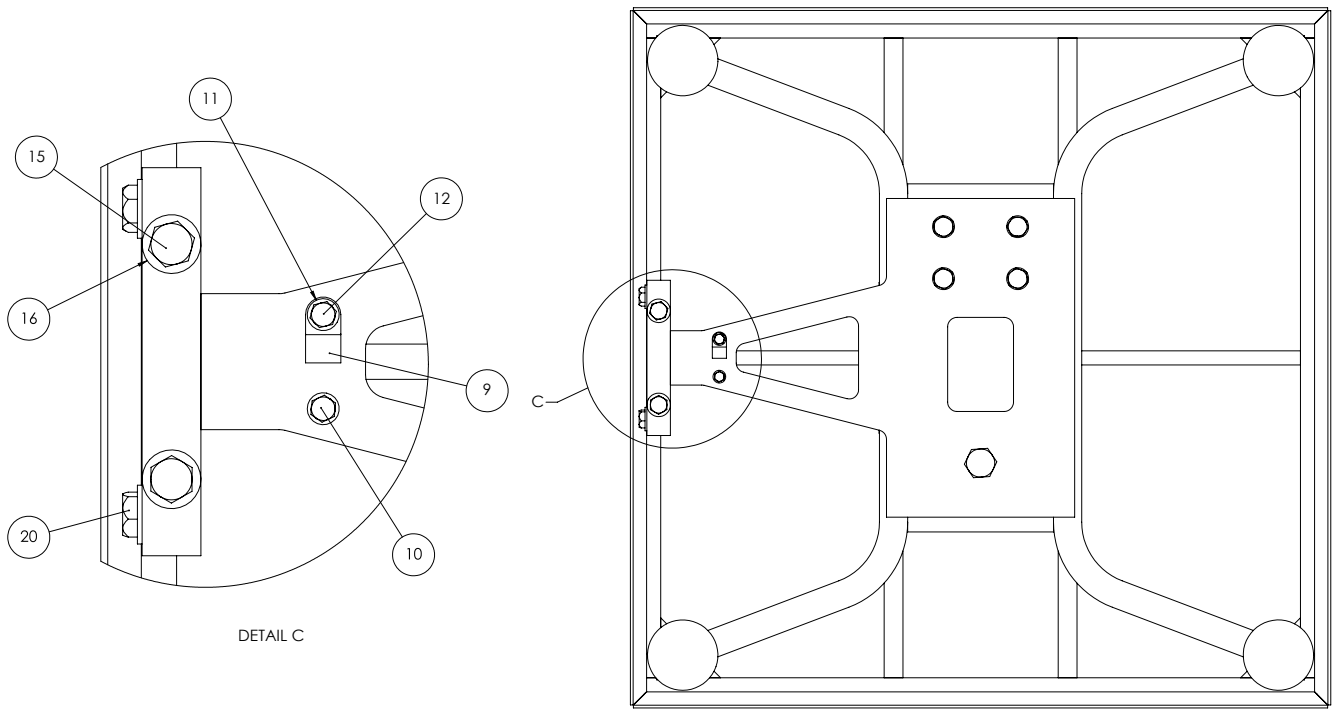
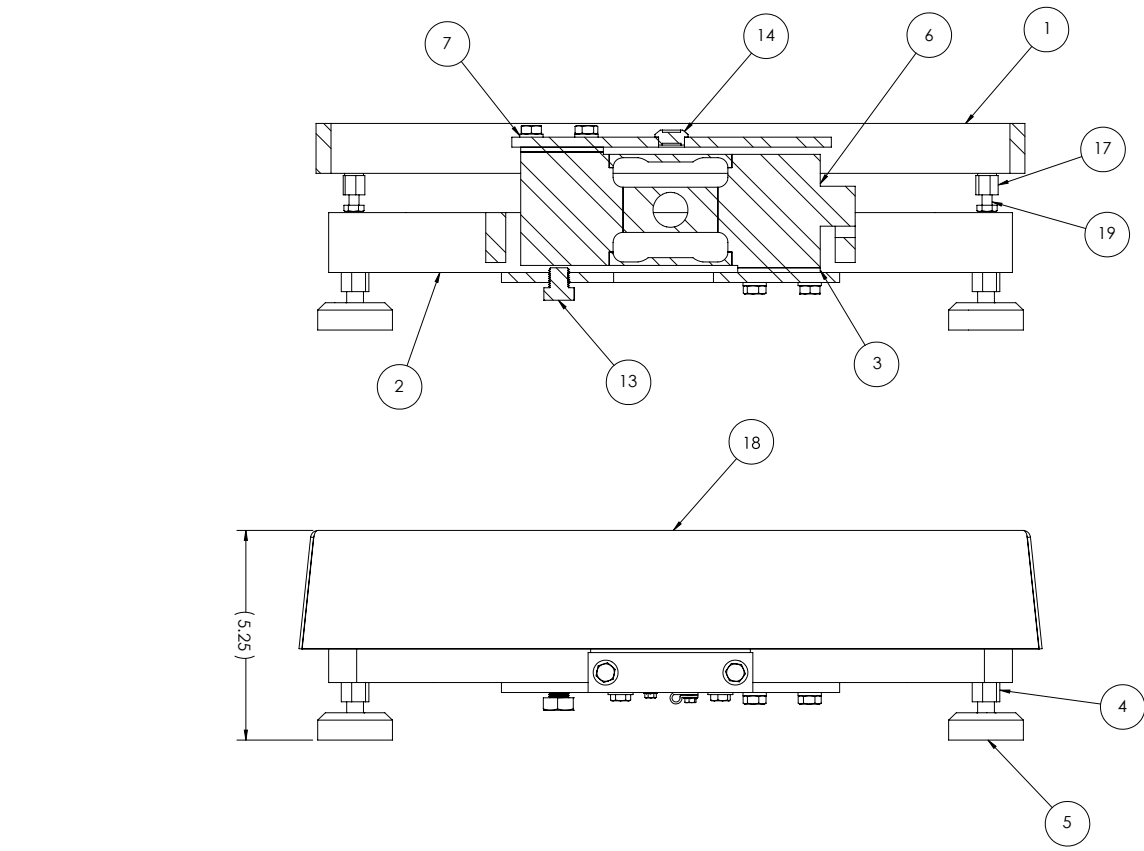


Part Number/Price

Ref#	Part#	Description	Price
1	192293	Frame, top weldment HE-X 12 x 18	Consult
1	191534	Frame, top weldment HE-X 18 x 18	Consult
1	191815	Frame, top weldment HE-X 18 x 24	Consult
1	191781	Frame, top weldment HE-X 24 x 24	Consult
2	192287	Frame, bottom bench scale 12 x 18 SST HE-X	Consult
2	191522	Frame, bottom bench scale 18 x 18 SST HE-X 50 lb-300 lb	Consult
2	191649	Frame, bottom bench scale 18 x 18 SST HE-X 500 lb-1,000 lb	Consult
2	191814	Frame, bottom bench scale 18 x 24 SST HE-X 50 lb-300 lb	Consult
2	191872	Frame, bottom bench scale 18 x 24 SST HE-X 500 lb-1,000 lb	Consult
2	191770	Frame, bottom bench scale 24 x 24 SST HE-X 50 lb-300 lb	Consult
2	191807	Frame, bottom bench scale 24 x 24 SST HE-X 500 lb-1,000 lb	Consult
3	191519	Shim, 0.1196 x 2.07 x 2.90 RLPCBC load cell sst	Consult
4	191518	Nut coupling 1/2-20 NF	Consult
5	191885	Foot	Consult
6	87022	Load cell, SPT RLPCBC-60 50 lb	Consult
6	87023	Load cell, SPT RLPCBC-60 100 lb	Consult
6	87023	Load cell, SPT RLPCBC-60 150 lb	Consult
6	87024	Load cell, SPT RLPCBC-60 200 lb	Consult
6	87024	Load cell, SPT RLPCBC-60 250 lb	Consult
6	87024	Load cell, SPT RLPCBC-60 300 lb	Consult
6	87025	Load cell, SPT RLPCBC-60 500 lb	Consult
6	87026	Load cell, SPT RLPCBC-60 1,000 lb	Consult
7	15154	5/16 Lock washer set	Consult
8	49789	Cap screw 5/16-18 NC x 1.25 hex head sst	Consult
9	15409	Clamp, cable	Consult
10	184359	Screw, 8-32 x 1/4 hex head 18-8 sst	Consult
11	15132	Washer, lock no 8 type A internal tooth sst	Consult
12	189464	Screw, 8-32 x 3/8 hex head 18-8 sst	Consult
13	183530	Screw, cap 1/2-20 NF x 0.50 hex head sst	Consult
14	187195	Level, spirit bubble bulls eye w/flange plastic 21 x 16.5 x 9.5 mm	Consult
15	14963	Screw, cap 1/4-20 NC x 3/4 hex head sst F593	Consult
16	15149	Washer plain 1/4 sst	Consult
17	105555	Nut, cplg 1/4-20 x 0.48 long sst	Consult
18	186936	Cover, top bench scale 12 x 18	Consult
18	19094	Cover, top bench scale 18 x 18	Consult
18	19095	Cover, top bench scale 18 x 24	Consult
18	19096	Cover, top bench scale 24 x 24	Consult
19	151269	Screw, cap 1/4-20 hhcs 18-8 sst p-t	Consult
20	14954	Screw, cap 1/4-20 NC x 3/8 sst	Consult

(See Diagram BenchMark-HE-X)

BENCH SCALES
BenchMark® HE-X



BenchMark HE-X