

# Rice Lake VS-34

COMPANION  
ANIMAL SCALES



## Standard Features

- Large LCD display
- Antimicrobial keypad
- Two wheels for portability
- Single ramp
- Plastic polymer nonslip platform
- Motiontrap™ movement compensation technology
- Unit of measure toggle or locking
- Serial and USB communication ports
- Tare function
- Hold function
- Factory calibrated
- Easy to store, folded depth is 11.75 in (29.8 cm)

## Specifications

### Capacity:

1,000 × 0.2 lb (450 × 0.1 kg)

### Platform Dimensions Without Ramps:

(L × W × H)

29.50 × 32.00 × 2.40 in

### Power:

9 VDC, provided by six AA alkaline batteries (included) or AC adapter (optional)

### Battery Type:

Six AA alkaline (included)

### Battery Use:

25 hours continuous use with batteries  
Automatic power-off can be configured

### Display:

Five-digit LCD display, 0.75 in (1.9 cm) digit height

### Temperature:

Operating:  
50 °F to 104 °F (14 °C to 40 °C)

### Warranty:

Two-year limited

## Part Number/Price

Part #	Model #	Capacity	Price
204405	Rice Lake VS-34	1,000 × 0.2 lb (450 kg × 0.1 kg) with USB	Consult

## Shipping Weight

Part #	Model #	L (in)	W (in)	H (in)	Package Wgt. (lb)	Dim Wgt. (lb)	Shipping Wgt. (lb)
204405	Rice Lake VS-34	42	41	14	90	174	174

## Options/Accessories

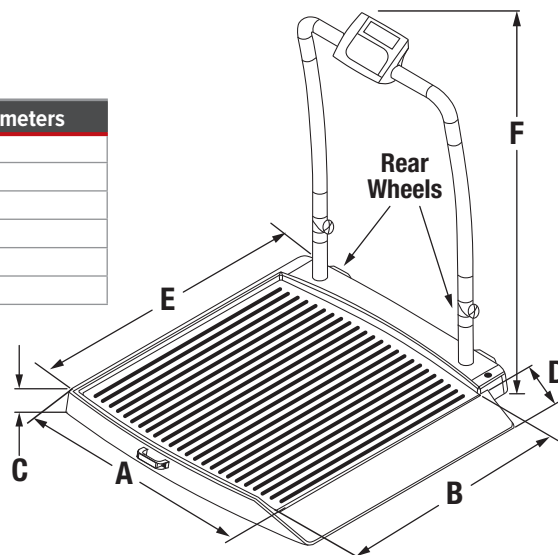
Part #	Description	Price
220767	Heavy-duty mat	Consult
133077 †	9 VDC adapter, 100 to 240 VAC, 50/60 Hz auto-switching	Consult



† NEMA 1-15 Plug

## Dimensions

	Inches	Centimeters
A	29.50	74.9
B	32.00	81.3
C	2.40	6.1
D	9.30	23.6
E	37.50	95.3
F	45.00	114.3



Rice Lake VS-34  
in folded position



Optional heavy-duty mat