

# Weigh/Check-in Kiosk

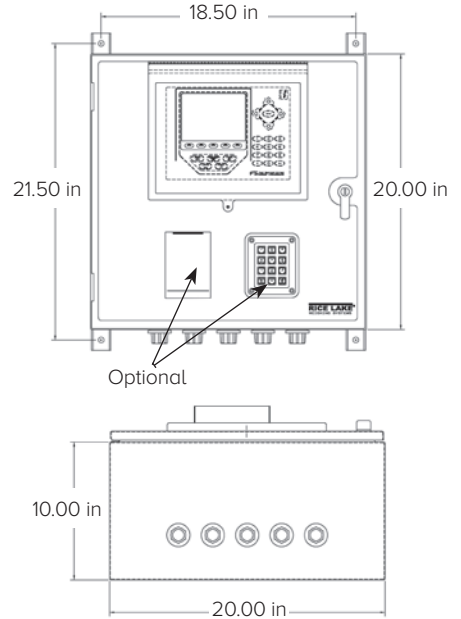


Shown with PN 176452

## Standard Features

### Weigh/Check-in Kiosk

- 920i® HMI with sun shield
- Four serial ports
- 120 VAC
- Two option slots for 920i option cards
- One-year warranty



## Part Numbers/Price

Part #	Description	Price
153353	Check-in kiosk with 920i HMI, 20 × 20 × 12 in painted mild steel enclosure	Consult

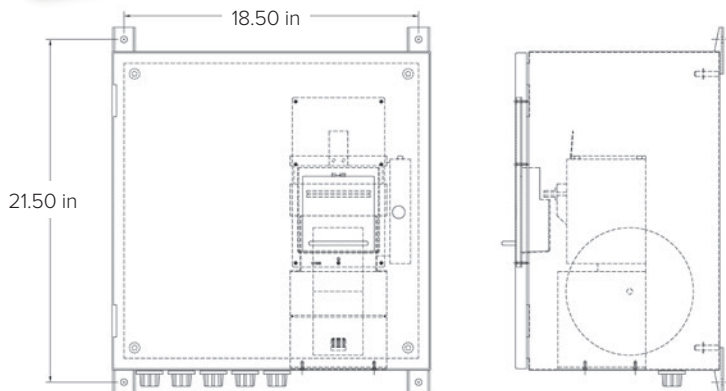
## Options/Accessories

Part #	Description	Price
119691	Vandal-proof 12-key keypad	Consult
176452	HID smart card reader	Consult
119692	88 key, panel mount Qwerty style keyboard	Consult
119693	200 watt heater	Consult
119689	Kiosk option, A/D single-channel, includes DIN rail and terminals	Consult
119690	Kiosk option, A/D dual-channel, includes DIN rail and terminals	Consult

# Printer Kiosk



PN 112836



## Standard Features

### Direct Thermal Printer Kiosk

- Custom America VKP80II receipt printer
- Slide door access to ticket
- 8-in paper roll
- 1 year warranty

## Specifications

### Line Voltages:

115 or 230 VAC

### Frequency:

50/60 Hz

### Power Consumption:

0.5 amps (depending on options)

### Fusing:

3.15 amps circuit breaker

### Printer Communication Ports:

RS-232 or Ethernet

### Temperature:

Storage:  
14 °F to 158 °F (-10 °C to 70 °C)

### Humidity:

0 to 95% relative humidity

### Warranty:

One-year limited