

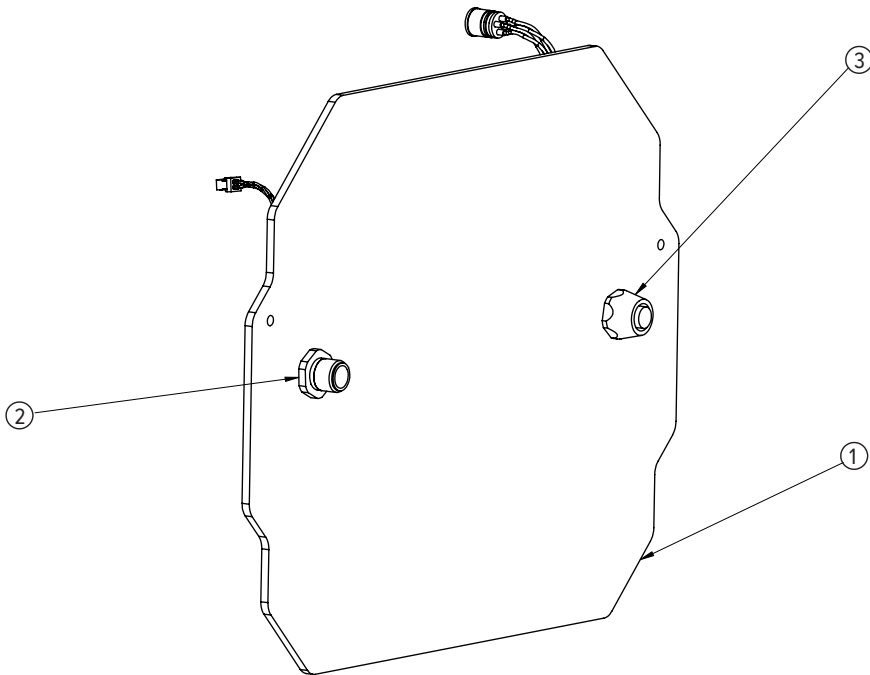
MSI-9600HT

Bulkhead Assembly

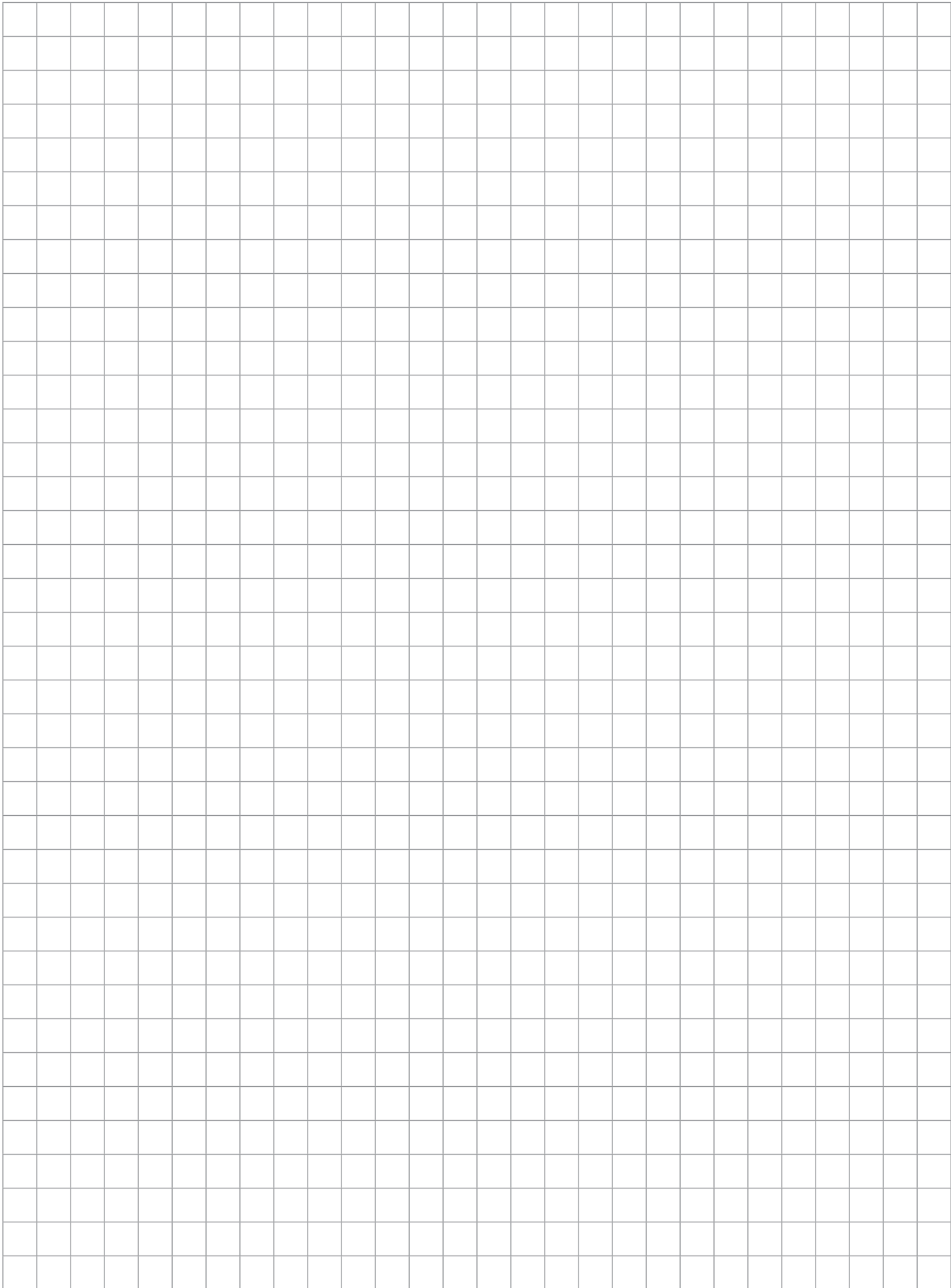


Part Number/Price

Item #	Part #	Description	Price
1	214089	Bulkhead front casting	Consult
2	139472	Cable assembly, bulkhead power 12.0 in	Consult
3	139471	Cable assembly, bulkhead load cell 12.0 in	Consult



REPLACEMENT PARTS



REPLACEMENT PARTS

MSI-9600HT

Mid-section Assembly 10,000 lb



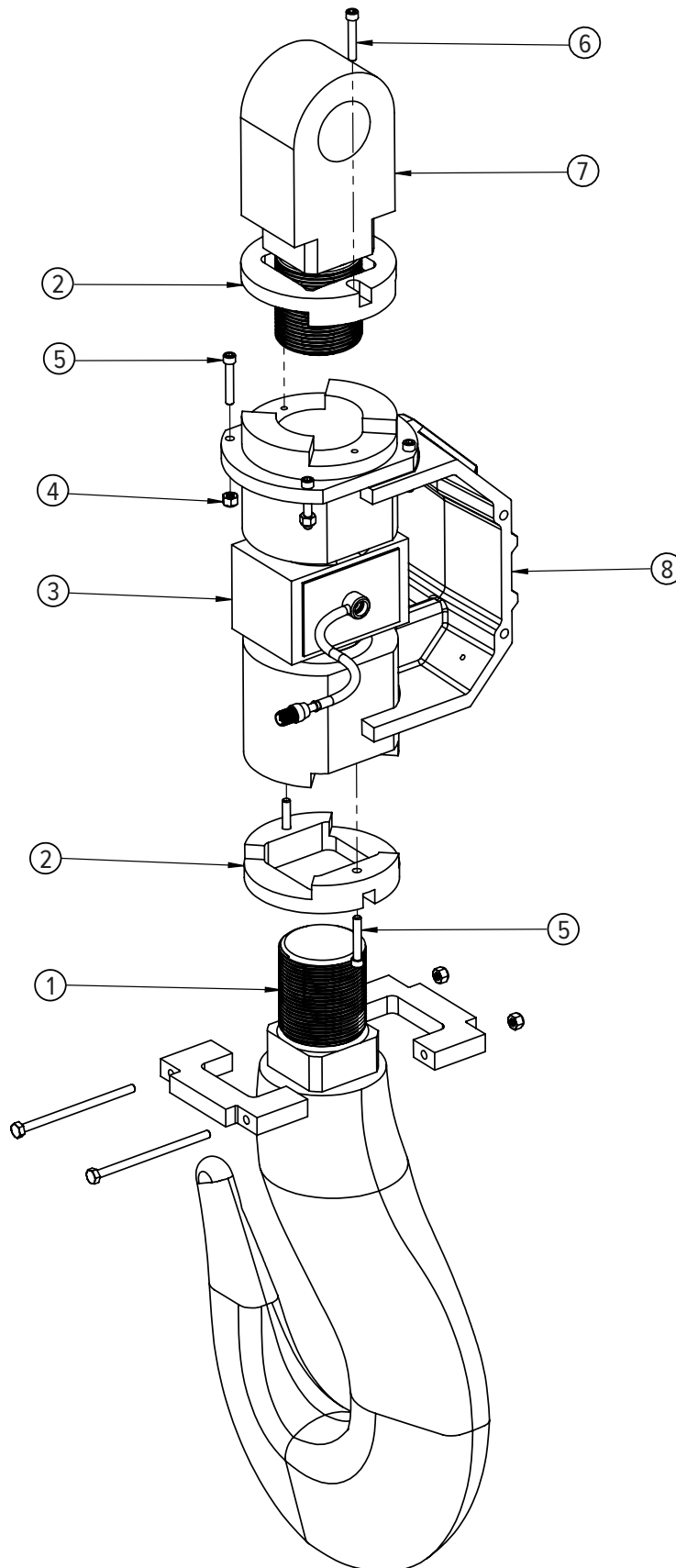
Part Number/Price

Item #	Part #	Description	Price
1	138220	Hook, machined, torque	Consult
2	148994	Collar, torque resistant	Consult
3	138147	Load cell assembly, torque	Consult
4	109955	Screw, socket head, 1/4-20 x 3/4, stainless steel	Consult
5	148995	Lug, upper, torque	Consult
6	148964	Casting, mid-section, machined	Consult
Not Shown	143233	Latch, safety kit	Consult

REPLACEMENT PARTS

MSI-9600HT

Mid-section Assembly 10,000 lb



REPLACEMENT PARTS

MSI-9600HT

Mid-section Assembly 30,000 lb



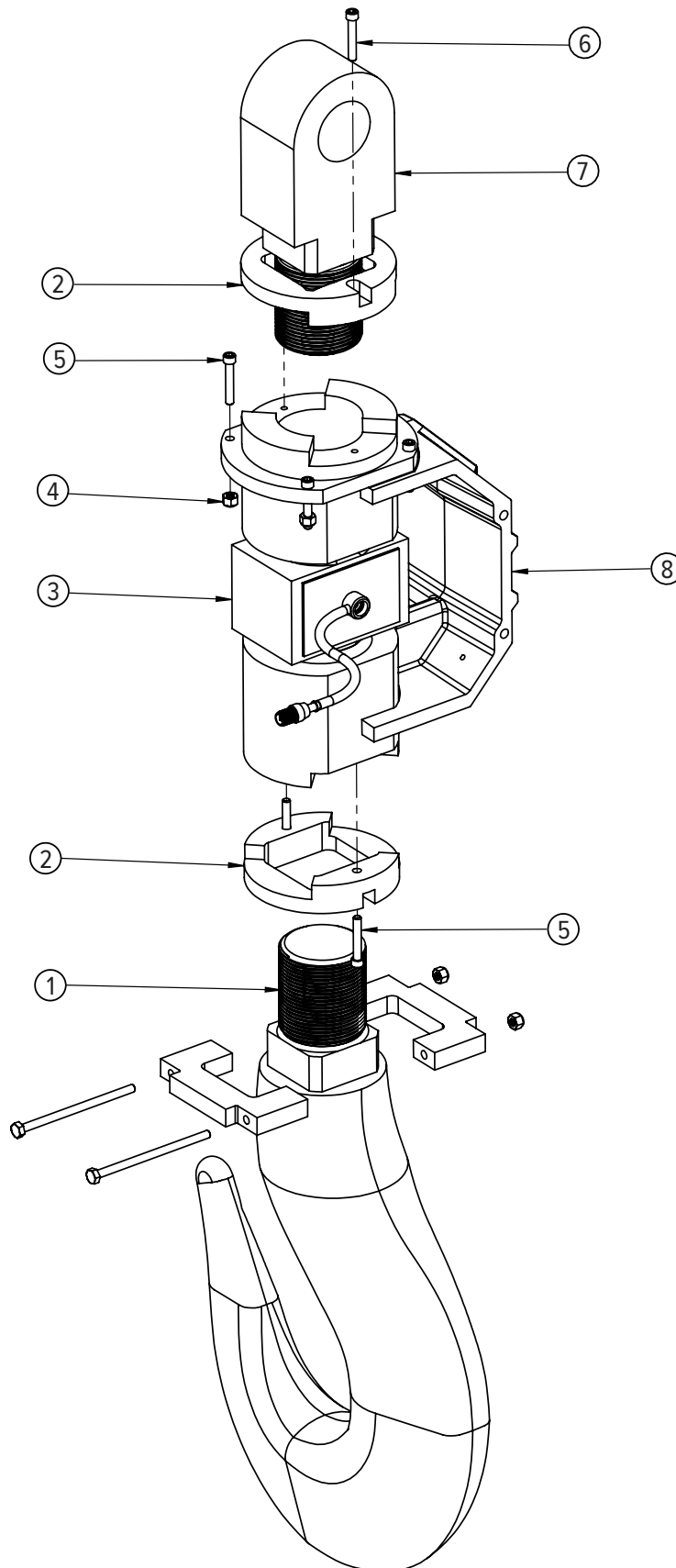
Part Number/Price

Item #	Part #	Description	Price
1	137813	Hook, machined, torque	Consult
2	148865	Collar, torque resistant	Consult
3	138145	Load cell assembly, torque	Consult
4	109955	Screw, socket head, 1/4-20 x 3/4, stainless steel	Consult
5	149037	Lug, 30 K torque resistant	Consult
6	148963	Casting, mid-section, machined	Consult
Not Shown	143235	Latch, safety kit	Consult

REPLACEMENT PARTS

MSI-9600HT

Mid-section Assembly 30,000lb



REPLACEMENT PARTS

MSI-9600HT

Mid-section Assembly 70,000 lb



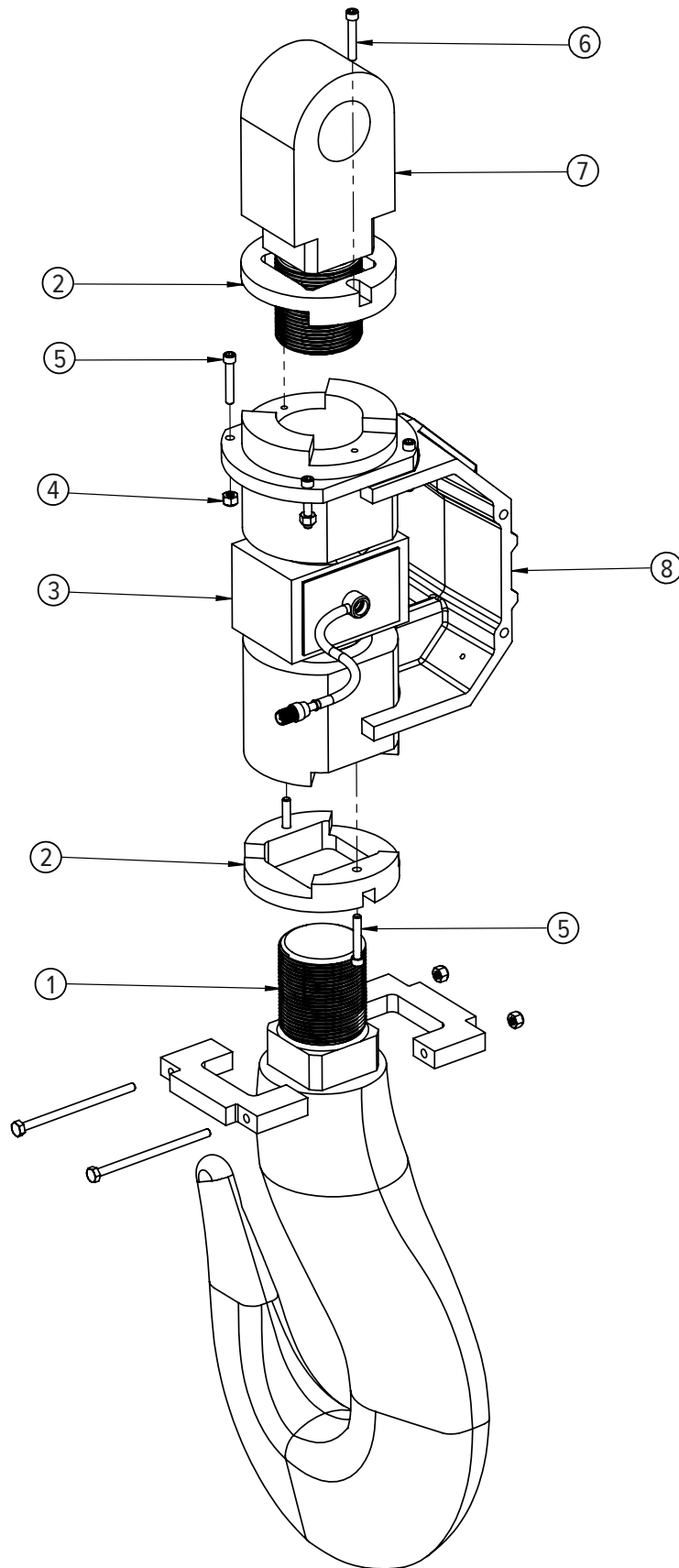
Part Number/Price

Item #	Part #	Description	Price
1	138142	Hook, machined, torque	Contact Factory
2	148960	Collar, torque resistant	Consult
3	138146	Load cell assembly, torque	Consult
4	146631	Nut, hex, 1/4-20 nyloc, stainless steel	Consult
5	117599	Screw, socket head, 1/4-20 × 1-1/2	Consult
6	109955	Screw, socket head, 1/4-20 × 3/4, stainless steel	Consult
7	149018	Lug, 70 K torque resistant	Consult
8	138149	Casting, mid-section, machined	Consult
Not Shown	142180	Latch, safety kit	Consult

REPLACEMENT PARTS

MSI-9600HT

Mid-section Assembly 70,000lb



REPLACEMENT PARTS

MSI-9600HT

Back Assembly



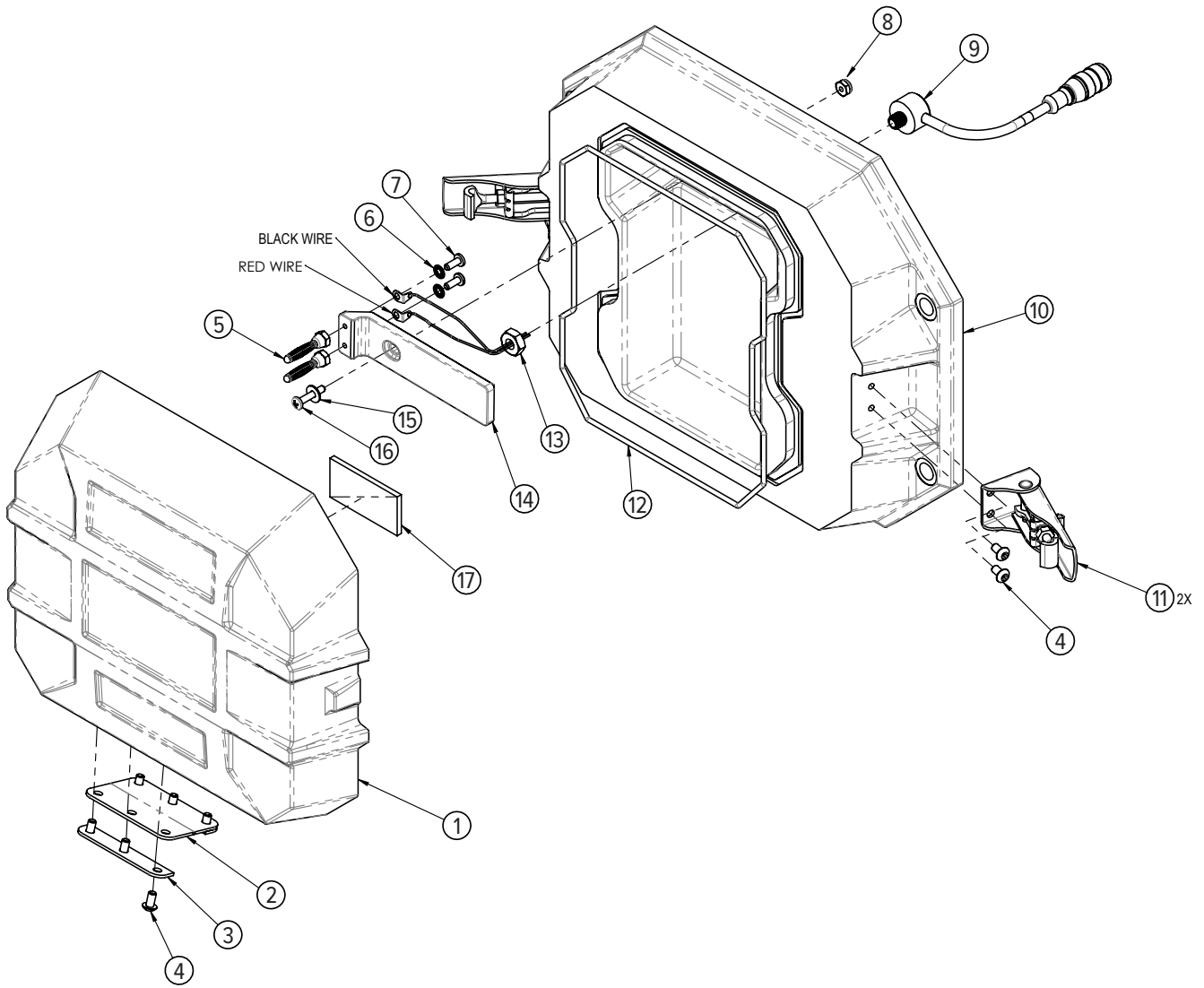
Part Number/Price

Item #	Part #	Description	Price
1	193557	Casting, rear cover, 12 V, machined	Consult
2	149719	Fastener battery door	Consult
3	149718	Plate aluminum battery	Consult
4	213050	Screw, button head 8-32 x 5/16 stainless steel (T15) torx drive	Consult
5	147825	Plug banana jack	Consult
6	81280	Washer, lock no 6 type A	Consult
7	146603	Screw, pan head 6-32 x 3/8 Phillips stainless steel	Consult
8	146627	Nut, hex 6-32 nyloc stainless steel	Consult
9	214737	Cable assembly power 12 in	Consult
10	204844	Casting rear 12 V SLA machined	Consult
11	145934	Latch camloc	Consult
12	149723	O-ring assembly batter well casting	Consult
13	146661	Nut, hex 5/16-18 jam stainless stell	Consult
14	169440	Connector block 12 V battery casting intrinsically safe	Consult
15	55124	Washer, flat #6 cres	Consult
16	127036	Screw, 6-32 x 3/4 Phillips pan head 18-8 stainless steel	Consult
17	146640	Pad poron 2.0 x 1.0	Consult

REPLACEMENT PARTS

MSI-9600HT

Back Assembly



REPLACEMENT PARTS